

BR1W

止推垫圈 Thrust washers

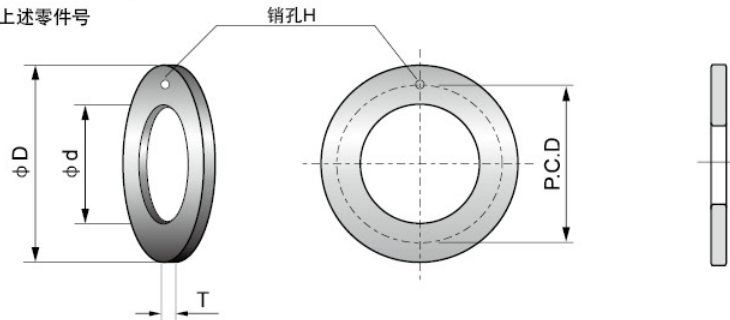


●摩擦面为树脂层。

请从适用的内径、外径、厚度中选择零件号
(例)内径20mm、厚度1.5mm的情况下

BR1W - 482

请指定上述零件号



单位Unit: mm

型号 Parts No.	内径		外径		厚度		销孔	柱销位置	
	□ d	$^{+0.25}_0$	□ D	$^0_{-0.25}$	T	$^0_{-0.05}$	H	P.C.D	
BR1W-1015	10	$^{+0.25}_0$	20	$^0_{-0.25}$	1.5	$^0_{-0.05}$	1.10~1.50	15	±0.12
BR1W-1215	12	"	24	"	"	"	1.625~1.875	18	"
BR1W-1415	14	"	26	"	"	"	2.125~2.375	20	"
BR1W-1615	16	"	30	"	"	"	"	22	"
BR1W-1815	18	"	32	"	"	"	"	25	"
BR1W-2015	20	"	36	"	"	"	3.125~3.375	28	"
BR1W-2215	22	"	38	"	"	"	"	30	"
BR1W-2415	24	"	42	"	"	"	"	33	"
BR1W-2615	26	"	44	"	"	"	"	35	"
BR1W-2815	28	"	48	"	"	"	4.125~4.375	38	"
BR1W-3215	32	"	54	"	"	"	"	43	"
BR1W-3815	38	"	62	"	"	"	"	50	"
BR1W-4215	42	"	66	"	"	"	"	54	"
BR1W-4820	48	"	74	"	2.0	"	"	61	"
BR1W-5220	52	"	78	"	"	"	"	65	"
BR1W-6220	62	"	90	"	"	"	"	76	"